



PROJECT		REF		REV	ITEM CODE	
LOCATION		DATE			PAGE	

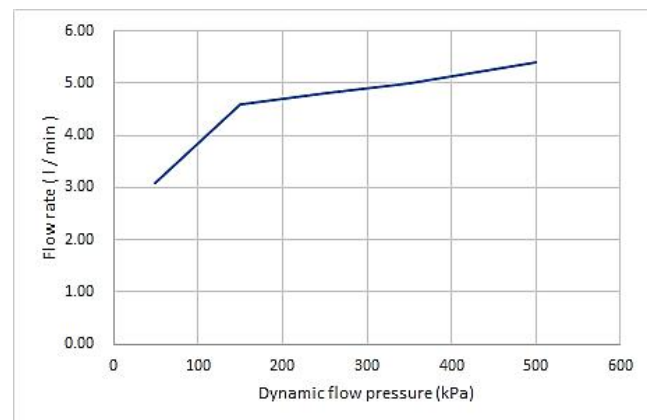
SANITARY WARE SPECIFICATION SHEET

Item Descriptions	GROHE (Germany) "Eurosmart Cosmopolitan" Chrome plated wall mounted 2-hole basin mixer; nominated flow rate 4.8 l/min in WELS Grade 1; Registration No. TM 18-0045
Dimensions	Refer to drawing
Model	19381000 (Mixer) 23571000 (Concealed Body) 64647040 (Aerator)
Material	Chrome Plated
Manufacturer	GROHE Limited
Supplier	Acme Sanitary Ware Co. Ltd Mr. Eric Wong/ Mr. Don Yuen
Contact Tel/Fax	(852) 2388-7171 / (852) 2710-8012
E-mail	acme@acmesanitary.com.hk
Website	www.acmesanitary.com.hk

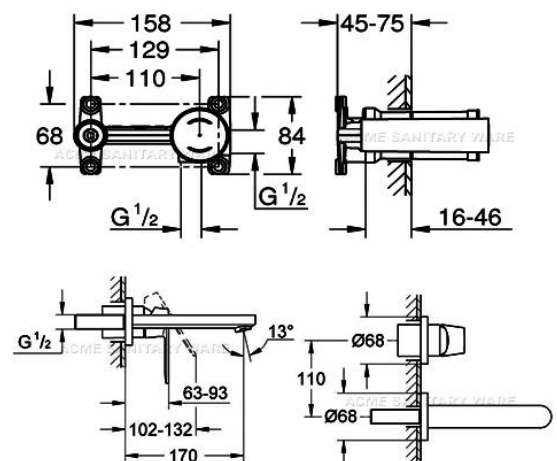
Illustration/ Drawing

This Eurosmart Cosmopolitan two-hole basin mixer is designed for wall-mounting. The separate concealed body (32365000) has to be purchased separately. The tap can be operated smoothly thanks to the **GROHE SilkMove** technology. This tap works well in the modern bathroom. The tap is beautiful to look at, a pleasure to use and nicely priced. Finished with shiny **GROHE StarLight** chrome which is not only beautiful, but also robust and easy to maintain. Wiping with a soft cloth is all you need for a long sheen.

Single-lever Mixer 1/2", Universal Concealed Body for 2-hole basin mixers, wall installation, without finishing trim set
GROHE SilkMove® 35 mm ceramic cartridge, spout can be positioned on the right or left installation depth 45 to 75 mm, DR-brass, installation device



Dynamic flow pressure (kPa)	50	150	250	350	500
Flow rate (l/min)	3.10	4.60	4.80	5.00	5.40



* All information of the above is for the reference only. No prior notice is made if any changes.

註冊號碼 (Registration No.): TM 18-0045



自願參與用水效益標籤計劃 - 水龍頭
Voluntary Water Efficiency Labelling Scheme - Water Taps



茲證明
This is to certify that

將下列水龍頭在本計劃內註冊：
has registered the following water tap under this scheme :

牌子 / Brand	:	GROHE
型號 / Model	:	23571000 + 19381XXX + 64647040
種類 / Type	:	Mixing
原產地 / Country or Region Origin	:	Germany

在用水效益標籤上顯示的標誌 <i>Symbolic Presentation on the Water Efficiency Label</i>	:		滴水點 <i>Water droplet(s)</i>
用水效益級別 <i>Water Efficiency Grade</i>	:	1	
耗水量 <i>Water Consumption</i>	:	4.8	公升/分鐘 <i>litres/minute</i>

簽發日期：
Date of Issue: 23 February 2018

水務署
Water Supplies Department



水務署署長(周世威代行)
for Director of Water Supplies